



FXGOBO100

Gobo Effect Light with 100W LED

USER MANUAL



For safety, please read this user manual carefully before initial use.

Event Lighting reserves the right to revise the manual at any time. Information and specifications within this manual are subject to change without notice. Event Lighting assumes no liability or responsibility for any errors or omissions. Please consult Event Lighting for any clarification or information regarding this item.

Ver 1.0 12.09.2024

INTRODUCTION

The FXGOBO100 is a powerful 100W LED effect light. It produces stunning colored gobo effects to cover a wide area of dance floor thanks to its wide beam angle. Ideal for small clubs, bars, parties, etc. To optimize the performance of this product, please read the user manual carefully before use.

1.1 Unpacking

The following items are included in the box:

- 1 x FXGOBO100
- 1 x Power Cord

Carefully unpack the carton, check the contents to ensure that all parts are present, and have been received in good condition. Contact your supplier immediately and retain packing material for inspection if any part is missing or damaged.

1.2 Safety Instructions



Warning!!! To reduce the risk of fire, electric shock, or injury to persons, follow these important safety instructions:

- The product is for indoor use only.
- Always turn off, unplug power and allow fixture to cool before servicing.
- Ensure that fixture is properly grounded.
- Please keep this User Guide for future consultation.
- Always make sure that you are connecting to the proper voltage and that the line voltage you are connecting to is not higher than that stated on decal or rear panel of the fixture.
- Always disconnect from power before servicing or replacing fuse.
- Make sure power cord is never crimped or damaged.

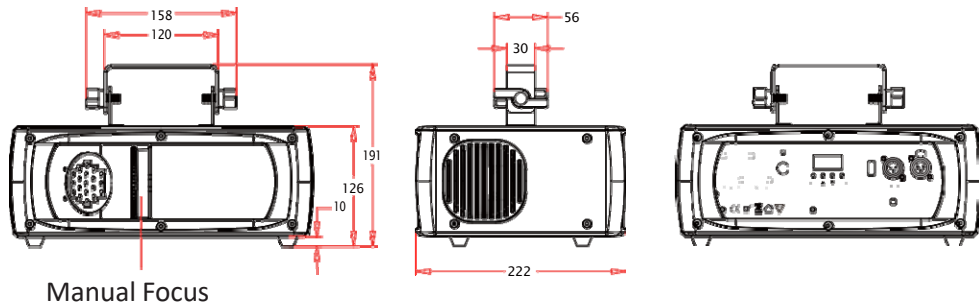
Caution!

Avoid looking directly into the LED light beam at a close distance!

1.3 Features

- Very wide beam angle: 75°
- Colors: 7 colors+white
- Gobos: 6 rotating Gobos+open, shaking
- Focus: Manual
- Dimmer: 0-100%
- Strobe: 0-30 Hz
- Working modes: DMX, Auto,Sound, Master/Slave
- 3 DMX modes: 2/6/7
- Display: LED display with 4 buttons

1.4 Product overview



2. SETUP

2.1 Mounting

The LED Effect is fully operational in any mounting position, hanging upside-down, side mounted, or set on a flat level surface, etc.

IMPORTANT!!! Safety cables must always be used when unit is ceiling or truss mounted. The safety cable must be capable of holding 10 times the weight of the fixture.

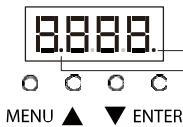
2.3 AC Power

The fixture is designed to work on AC 90-240V 50-60Hz. All units must be powered directly from a switched circuit. This unit cannot be run on a rheostat or dimmer circuit even if used solely for a 0% to 100% switching.

WARNING!!! All fixtures must be connected to circuits with a suitable Earth Ground.

OPERATION INSTRUCTIONS

3.1 Control Panel



MENU: to scroll through main menu or move left.
 UP: to scroll through main menu or increase value.
 DOWN: to scroll through main menu or decrease value.
 ENTER: to move right or confirm setting
 Mode indicator flashing = DMX/Slave mode
 solid on = Master mode
 Sound indicator flashing = fixture in sound mode

3.2 Menu Map

1st Menu	2nd Menu	3rd Menu	Description
Addr	A001 - A512		Set DMX address
Chnd	Ch02/06/07		Select DMX channel mode
Auto	Aut1-Aut8	SP01-SP99	Select Auto program and speed
Soun	Sou1-Sou8	SE00-SE98	Select Sound program and sensitivity level
NAun	Dinn	000-255	Manual Dimmer
	Stro	000-255	Manual Strobe
	Colo	000-255	Manual Color
	Gobo	000-255	Manual Gobo
	rGob	000-255	Manual Gobo rotating
	rotA	000-255	Manual Mirror rotating
SEt	diSP	dSiP	Display reverse
	dnSt	on/off	DMX lost *
	rEst	YES/NO	Factory default setting
inFo	uEr		Version number
	tEMP		Temperature
	Hour	XXXX	Total fixture hours

*DMX Lost=on, the fixture will keep its last status when signal is off in DMX mode.
 DMX Lost=off, the fixture will black out when signal is off in DMX mode.

3.2 DMX channel

2-channel mode

Ch	Function	Value	Description
1	Macro	000-012	No function
		013-045	Maro 1
		046-080	Maro 2
		081-150	Maro 3
		151-185	Maro 4
		186-220	Maro 5
		212-255	Maro 6

Ch	Function	Value	Decription
2	Mirror rotating	000-127	0-360° indexing
		128-169	Clockwise rotating from fast to slow
		170-211	Counter clockwise rotating from slow to fast
		212-255	Rotating back and forth from slow to fast

6-channel mode

Ch	Function	Value	Decription
1	Dimmer	000-255	0-100%
2	Strobe	000-031	Closed
		032-063	Open
		064-095	Pulse strobe from slow to fast
		096-127	Open
		128-159	Fade strobe from slow to fast
		160-191	Open
		192-223	Random strobe from slow to fast
3	Color	224-255	Open
		0-7	White
		0-15	White+Color1
		16-23	Color1
		24-31	Color1+Color2
		32-39	Color2
		40-47	Color2+Color3
		48-55	Color3
		56-63	Color3+Color4
		64-71	Color4
		72-79	Color4+Color5
		80-87	Color5
		88-95	Color5+Color6
		96-103	Color6
		104-111	Color6+Color7
		112-119	Color7
4	Gobo	120-127	Color7+Color8
		128-191	Forward Color flow from fast to slow
		192-255	Backward Color flow from slow to fast
		0-7	Open
		8-14	Gobo1
		15-21	Gobo 2
		22-28	Gobo 3
		29-35	Gobo 4

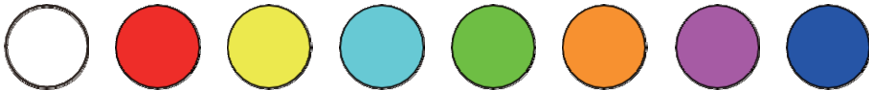
4	Gobo	36-42	Gobo 5
		43-49	Gobo 6
		50-56	Open shaking from slow to fast
		57-63	Gobo1 shaking from slow to fast
		64-70	Gobo 2 shaking from slow to fast
		71-77	Gobo 3 shaking from slow to fast
		78-84	Gobo 4 shaking from slow to fast
		85-91	Gobo 5 shaking from slow to fast
		92-119	Gobo 6 shaking from slow to fast
		120-184	Forward Gobo flow from fast to slow
		185-190	Stop
5	Gobo Rotating	191-255	Backward Gobo flow from slow to fast
		0-127	0-360° indexing
		128-190	Clockwise rotating from fast to slow
		191-192	Stop
6	Mirror rotating	193-255	Counter clockwise rotating from slow to fast
		000-127	0-360° indexing
		128-169	Clockwise rotating from fast to slow
		170-211	Counter clockwise rotating from slow to fast
		212-255	Rotating back and forth from slow to fast

7-channel mode

Ch	Function	Value	Description
1	Dimmer	000-255	0-100%
2	Strobe	000-031	Closed
		032-063	Open
		064-095	Pulse strobe from slow to fast
		096-127	Open
		128-159	Fade strobe from slow to fast
		160-191	Open
		192-223	Random strobe from slow to fast
		224-255	Open
3	Color	0-7	White
		0-15	White+Color1
		16-23	Color1
		24-31	Color1+Color2
		32-39	Color2
		40-47	Color2+Color3
		48-55	Color3

3	Color	56-63	Color3+Color4
		64-71	Color4
		72-79	Color4+Color5
		80-87	Color5
		88-95	Color5+Color6
		96-103	Color6
		104-111	Color6+Color7
		112-119	Color7
		120-127	Color7+Color8
		128-191	Forward Color flow from fast to slow
		192-255	Backward Color flow from slow to fast
4	Gobo	0-7	Open
		8-14	Gobo1
		15-21	Gobo 2
		22-28	Gobo 3
		29-35	Gobo 4
		36-42	Gobo 5
		43-49	Gobo 6
		50-56	Open shaking from slow to fast
		57-63	Gobo1 shaking from slow to fast
		64-70	Gobo 2 shaking from slow to fast
		71-77	Gobo 3 shaking from slow to fast
		78-84	Gobo 4 shaking from slow to fast
		85-91	Gobo 5 shaking from slow to fast
		92-119	Gobo 6 shaking from slow to fast
120-184	Forward Gobo flow from fast to slow		
185-190	Stop		
191-255	Backward Gobo flow from slow to fast		
5	Gobo Rotating	0-127	0-360° indexing
		128-190	Clockwise rotating from fast to slow
		191-192	Stop
		193-255	Counter clockwise rotating from slow to fast
6	Macro	000-012	No function
		013-255	Macro selection (see 2-channel mode)
7	Mirror rotating	000-127	0-360° indexing
		128-169	Clockwise rotating from fast to slow
		170-211	Counter clockwise rotating from slow to fast
		212-255	Rotating back and forth from slow to fast

COLORS



Open

Red

Yellow

Cyan

Green

Orange

Pink

Blue

GOBOS



Gobo1

Gobo2

Gobo3

Gobo4

Gobo5

Gobo6

General Maintenance

4.1 Fuse Replacement

- Unscrew the fuse holder and remove the damaged fuse.
- Replace with the exact same type fuse and screw the fuse holder back in its place.

5. Specifications

Source: 100 white LED, 9000K

Beam angle: 75°

Power consumption: 150W Max.

Power supply: 100~240V, 50-60Hz

Fuse: F4A/250V

Dimensions: 320*220*200 mm

Weight: 4.50 kg

WARRANTY

Please refer to your local dealer.